



High-Speed HDMI Cable

GDILT-HDMI 2.0

Overview

GDI Technology **GDILT-HDMI 2.0** High Speed HDMI cable provides a reliable, high-quality connection between audio and video components. Is compatible for your streaming devices, PlayStation 5 (PS5), Xbox Serie X, Apple TV 4K, 2021 Macbook Pro 14/16 (Apple M1Pro/Max), NVIDIA Shield TV, Fire TV, Roku Ultra TV, Blu-ray players, MicrosoftXnox 1, Nintendo Switch & other HDMI-enabled devices to your HD TV.monitors, displays or projectors

Features

- High-speed HDMI cable with Ethernet
- Supports all HDMI 2.0 functions including 3D, ARC and Ethernet.
- Durable molded PVC housing
- Gold-plated connectors for maximum conductivity and corrosion resistance.
- High-quality copper conductors for optimal signal transfer
- Fully shielded to reduce EMI and RFI interference

At a Glance

Cable Length: 1830 ± 20 6 FT
Cable Type: HDMI Male A to HMDI Male A
Connector Type: HDMI
Connector Material: GOLD plugs
Color: Black
Packaging: Bulk
Resolution: 4Kx2K @60Hz. Bandwidth:18Gbps
HDCP Compliant: Yes
Audio Format Support: 2.1, 5.1, and 7.1 surround sound

High-Speed HDMI Cable GDILT-HDMI 2.0

SPECIFICATIONS

MODEL:		GDILT-HDMI 2.0
COMPLIES WITH:		• HDCP
DATA:	Connector	• HDMI 19 PIN Male A to HDMI Male A
	Material	• Gold plugs
	Inner Mold	• White PE
	Wire Gauge (AWG)	• 30AWG
	Conductors Solid	• CCS
	Connector Housing Material	• Molded PVC, Black
	Jacket	• 6.0 PVC, Black
	Bandwidth	• 18 Gbps
	Connector Finishing	• Gold Plated
	Connector Contacts	• Gold Plated
	Shielding Level	• Triple
	Shielding Type	• Aluminum-mylar
	Ethernet Channel	• Yes
	HDMI Connector Head Size (incl. strain relief) LxWxH	• 36.42 x 20.54 x 11.27 mm
	HDMI Cable Diameter	• 6.0 mm
	Cable Length	• L= 1830 ± 20 6FT
	Voltage	• DC 300V/10ms
	Insulation Resistance	• 10M OHM (Min)
	Conductor Resistance	• 2 OHM (Max)
	Resolution	• 4Kx2K @60Hz
Function	• Dynamic HDR10, HDCP2.2/2.3, eARC, Dolby Atmos, AIIM, OFT, QMS, VRR	

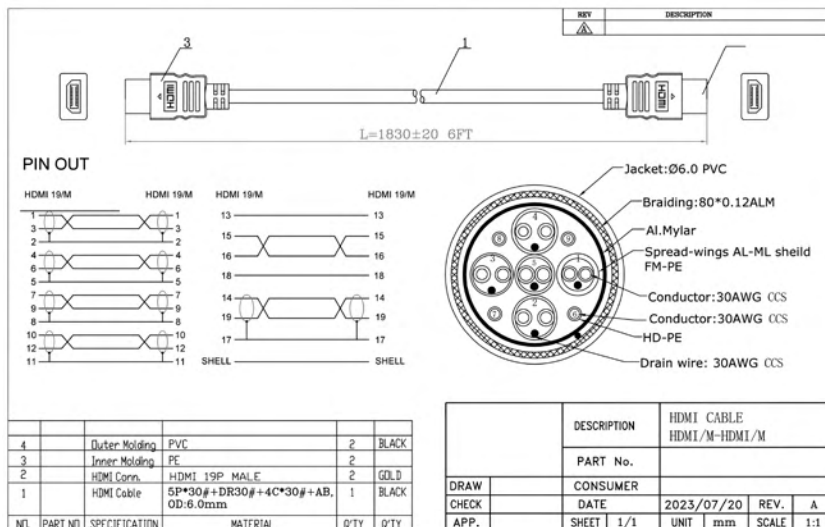


HDMI is a trademark of HDMI Licensing LLC. in the U.S. and other countries.



Warranty

This data sheet is for informational purposes only and may be subject to change without notice. Please refer to the product packaging and user manual for the most up-to-date specifications and usage instructions.



GDI Technology reserves the right to make changes to the product at any time without notice. Information provided by GDI Technology is believed to be accurate and reliable. However, no responsibility is assumed by GDI Technology for its use, nor for any infringements of patents or other rights of third parties which may result from its use.

GDI Technology products are not authorized or warranted for use as critical components in equipment that requires an extremely high level of reliability. A critical component is any component of a life support device or system whose failure to perform can be reasonably expected to cause the failure of the life support device or system, or to affect its safety or effectiveness.