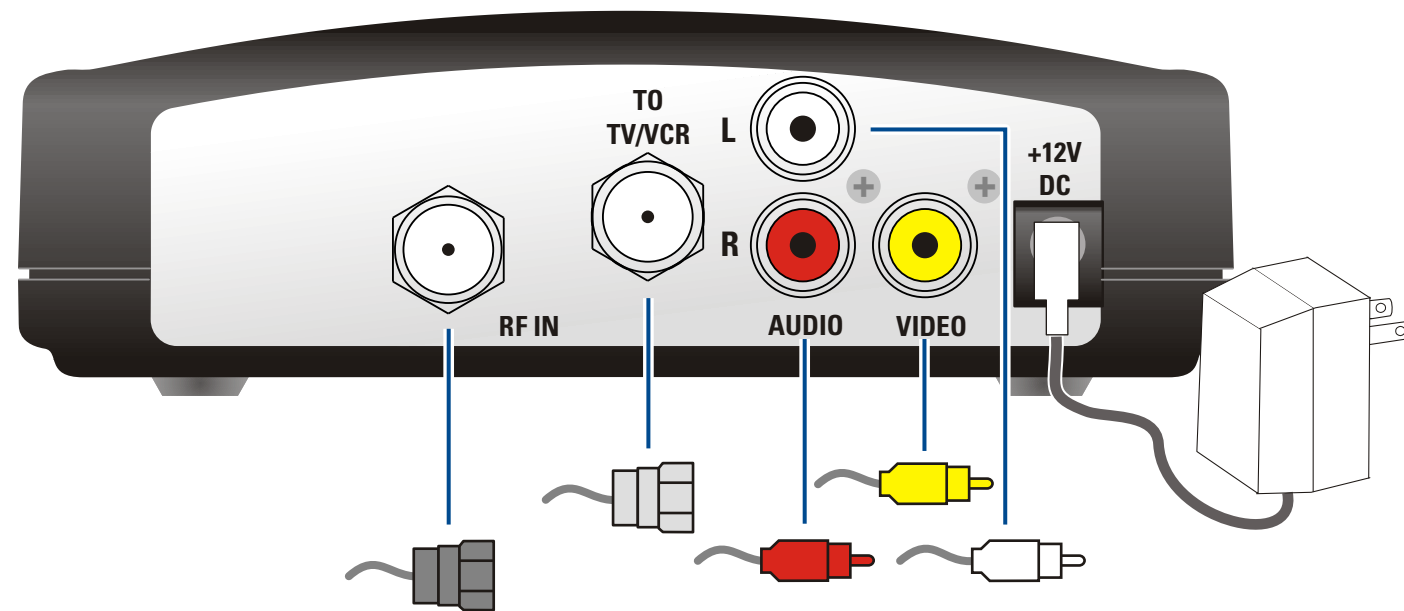


DCT700 Quick Start Guide

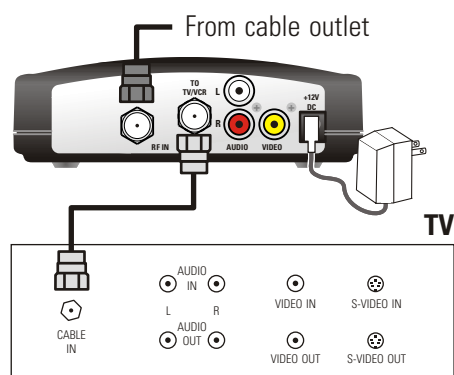


Follow the cabling diagram below that best matches your home entertainment configuration.
 Refer to the DCT700 User Guide at www.motorola.com/videoproducts for details.
 NOTE: Allow 2 inches of clearance around the DCT700 for proper ventilation.



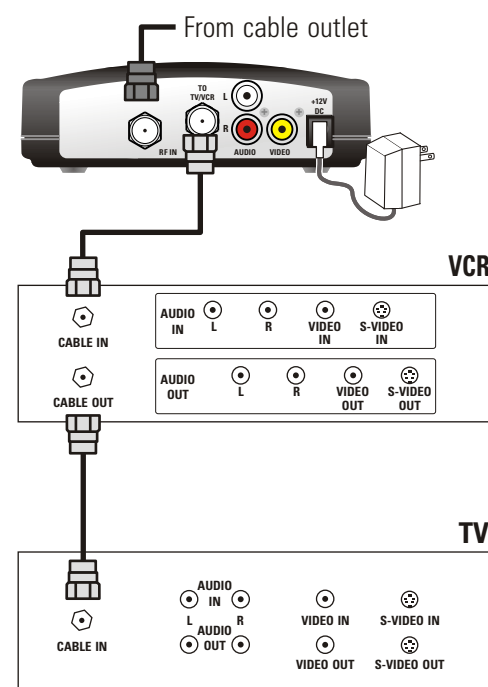
Coaxial Cable from wall		RCA Video Cable	
Coaxial Cable		DC 12 Volt Adapter	
RCA Audio Cables			

Standard TV Cabling



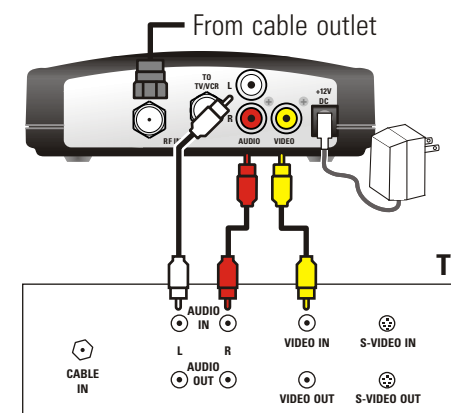
This configuration provides all basic features of the DCT700.
 (The TV must be set to channel 3 or 4.)

Standard VCR Cabling



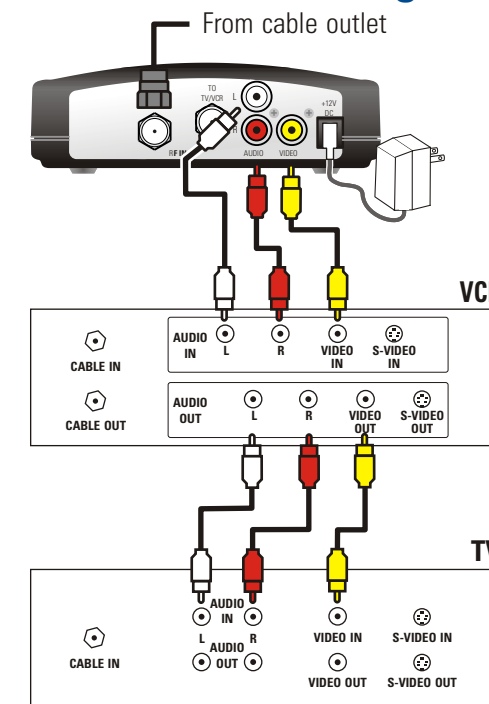
This configuration allows you to record a program.

Stereo TV Cabling



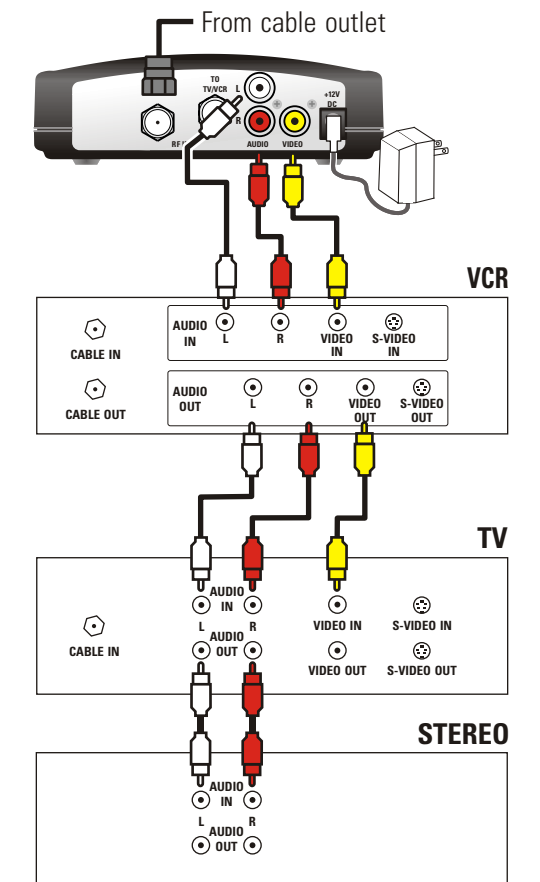
This configuration allows you to listen to programming in stereo sound when available.

Stereo VCR Cabling



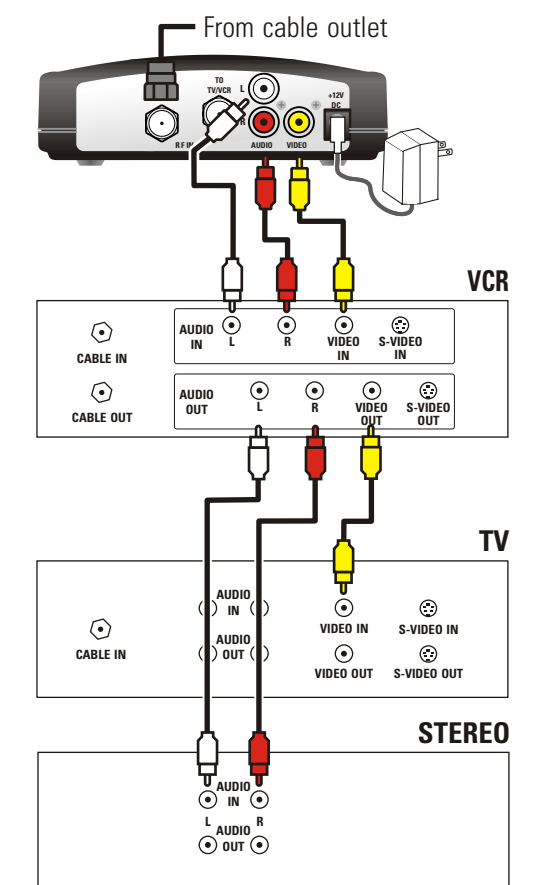
This configuration allows you to record and play a program in stereo sound when available.

Stereo Cabling—TV to Stereo



This configuration plays the TV sound through a stereo.

Stereo Cabling—VCR to Stereo



This configuration plays the VCR sound through a stereo.