

DCH70 Quick Start Guide



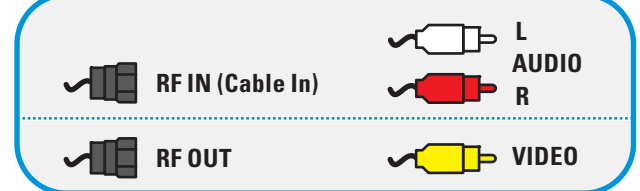
Follow the cabling diagram below that best matches your home entertainment configuration. Refer to the DCH70 User Guide at www.motorola.com/video/products for safety instructions and other detailed instructions.

NOTE: Allow 2 inches of clearance around the DCH70 for proper ventilation.

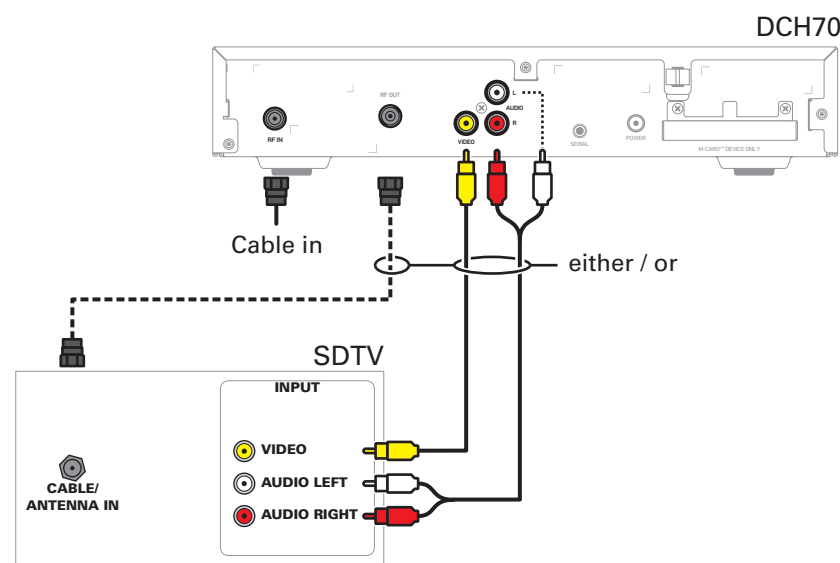


Connect the coaxial cable securely to the Cable In connector. Either hand-tighten or tighten with a quarter turn of a wrench. Too loose or too tight can cause problems.

Connectors



Connecting to a TV

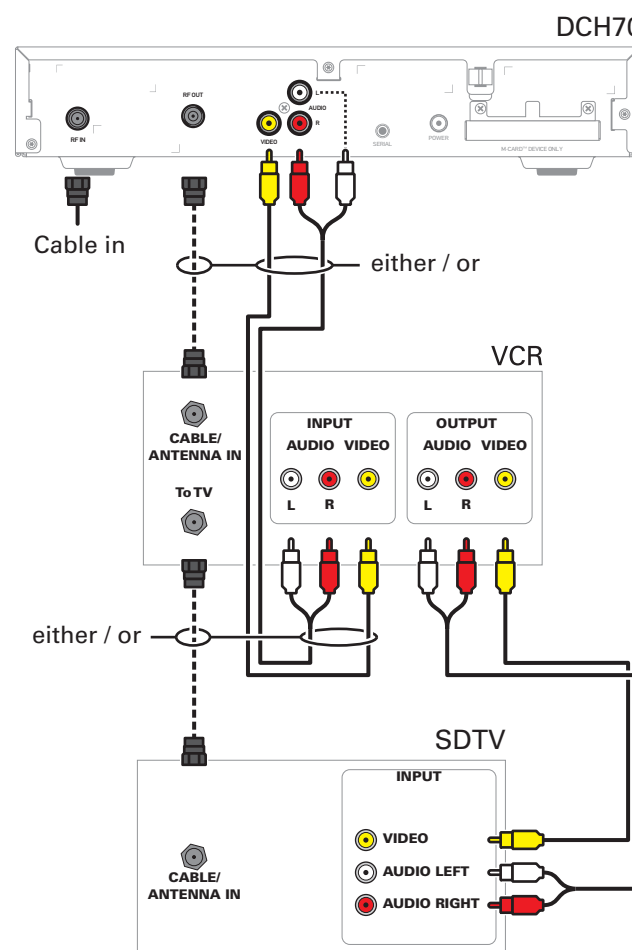


- Connect the coaxial cable securely to the Cable In connector. Either hand-tighten or tighten with a quarter turn of a wrench. Too loose or too tight can cause problems.
- The yellow composite video connector is the preferred video connection.

Alternate



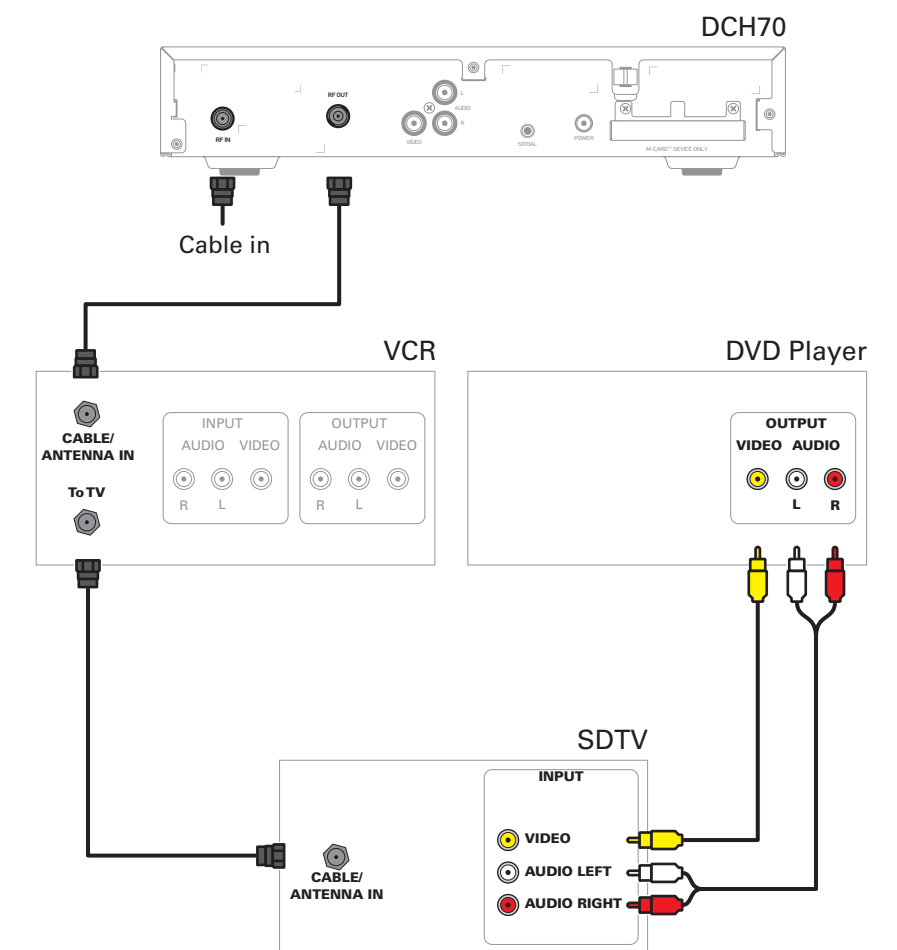
Connecting to a TV and a VCR



Alternate



Connecting to a TV, VCR, and DVD Player



DCH70 Quick Start Guide



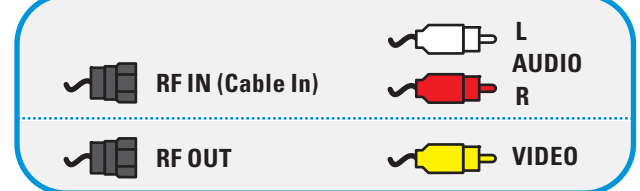
Follow the cabling diagram below that best matches your home entertainment configuration. Refer to the DCH70 User Guide at www.motorola.com/video/products for safety instructions and other detailed instructions.

NOTE: Allow 2 inches of clearance around the DCH70 for proper ventilation.

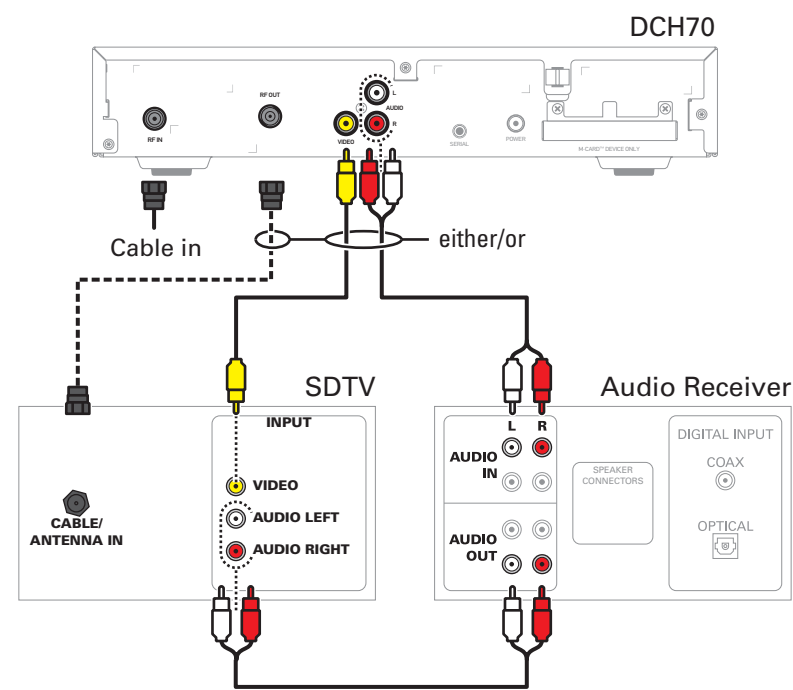


Connect the coaxial cable securely to the Cable In connector. Either hand-tighten or tighten with a quarter turn of a wrench. Too loose or too tight can cause problems.

Connectors

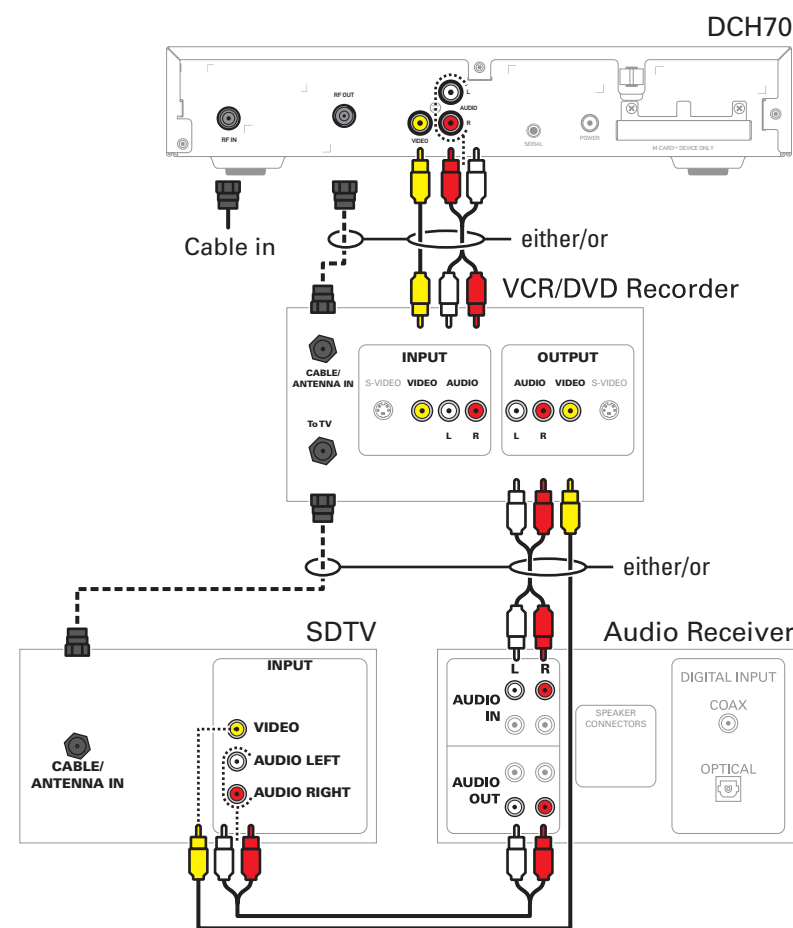


Connecting to a TV and an Audio Receiver



Alternate

Connecting to a TV, VCR/DVD Recorder, and Audio Receiver



Alternate

Connecting to a TV, VCR/DVD Recorder, and A/V Receiver

